

FLEXIBLE CONVEYOR

Mechanical Conveying

The VeloDyne Flexible Conveyor is a flexible screw conveyor (helix conveyor) designed to handle both free-flowing and non-free-flowing materials without separation or degradation.

Key Features:

- Direct Drive Assembly
- Corrosion Resistant Motor and Gearbox
- Custom Sizes & Design Configurations
- Easy Auger Change-Out



The VeloDyne Flexible Conveyor is a flexible screw conveyor (helix conveyor) designed to handle both free-flowing and non-free-flowing materials without separation or degradation. Advanced features allow for optimized bulk solids handling. We equip our conveyors with direct-drive motors to promote reliability through the use of less-wear items. The only moving part of the Flexible Conveyor is the contact screw, designed to propel bulk solids consistently while self-centering in the tube. The Flexible Conveyor can convey your product vertically, horizontally and at an angle to meet the prescribed discharge area in even the most demanding environments. The unique movement of the flexible screw allows for ample clearance in the tube, eliminating binding, grinding or crushing of your bulk solids materials ranging from micro-powders to pellets. Finished product blends will not separate and starting or stopping the Flexible Conveyor will be bind-free. A variety of options and configurations provide the most process-friendly conveyor in the industry and integrates with other VeloDyne components for a complete solution.

VEL  DYNE

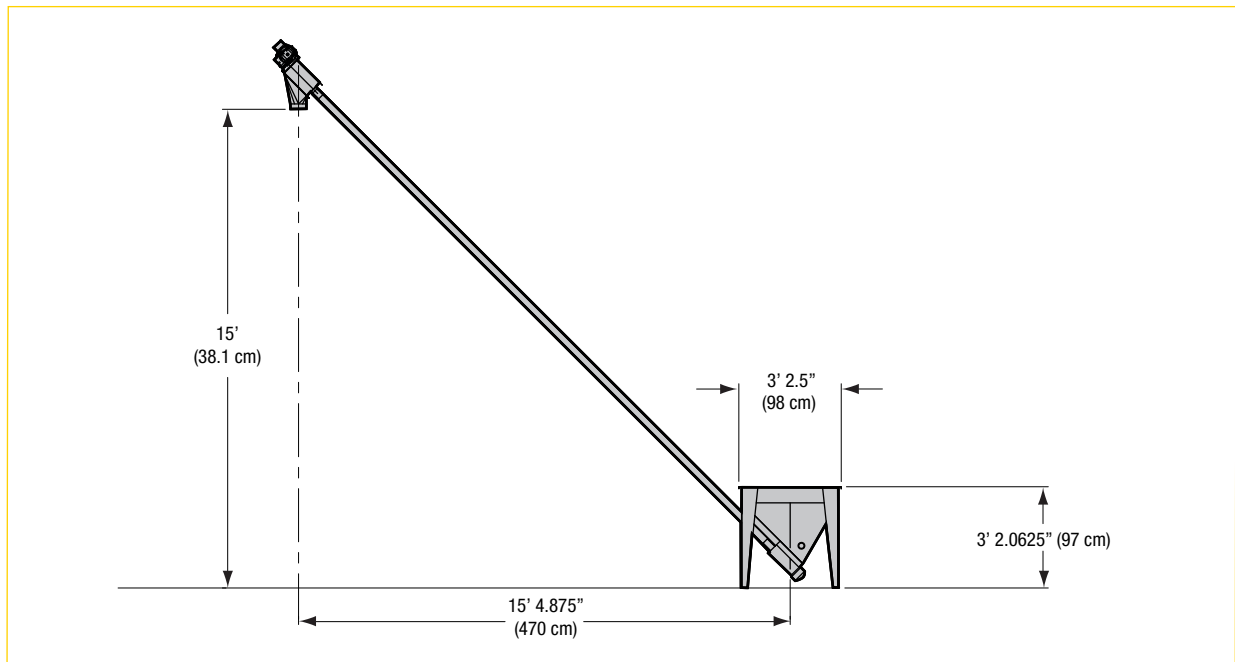
FLEXIBLE CONVEYOR

Mechanical Conveying

FLEXIBLE CONVEYOR SPECIFICATIONS

Hopper:	8 Cubic Foot
Conveying Rate:	Up to 443 Cubic Feet per Hour
Materials of Construction:	304 Stainless Steel, UHMW
Motor:	2 HP, 230/460 VAC, 3pH, 60 Hz, TENV, 1750 RPM
Height:	Up to 25 feet tall

FLEXIBLE CONVEYOR DIMENSIONS



ACCESSORY OPTIONS

- Custom Tooling Sizes
- Extension Hopper
- Dust Collector
- Integrated Controls
- Level Sensor
- Mobile Frame

FLEXIBLE CONVEYOR STANDARD SCREW SIZES

Standard Screw Dia.	1-5/8"	2"	3"	4"
Standard Pitch	2"	2"	3.5"	4"
Conveying Rate (Cu. Ft./Hr)*	30	45	190	385
Screw Length	Custom			

Note: Rates based on 350 RPM output and 5:1 Gearbox Ratio
*Will vary depending on product



VeloDyneSystems.com



© 2017 Velocity Dynamics, LLC. All rights reserved. Results may vary under different operating conditions. Specifications, terms and pricing are subject to change. Please consult your local sales representative for details. VeloDyne.1001.0517

Phone: 303-530-3298
E-Mail: Sales@VeloDyneSystems.com